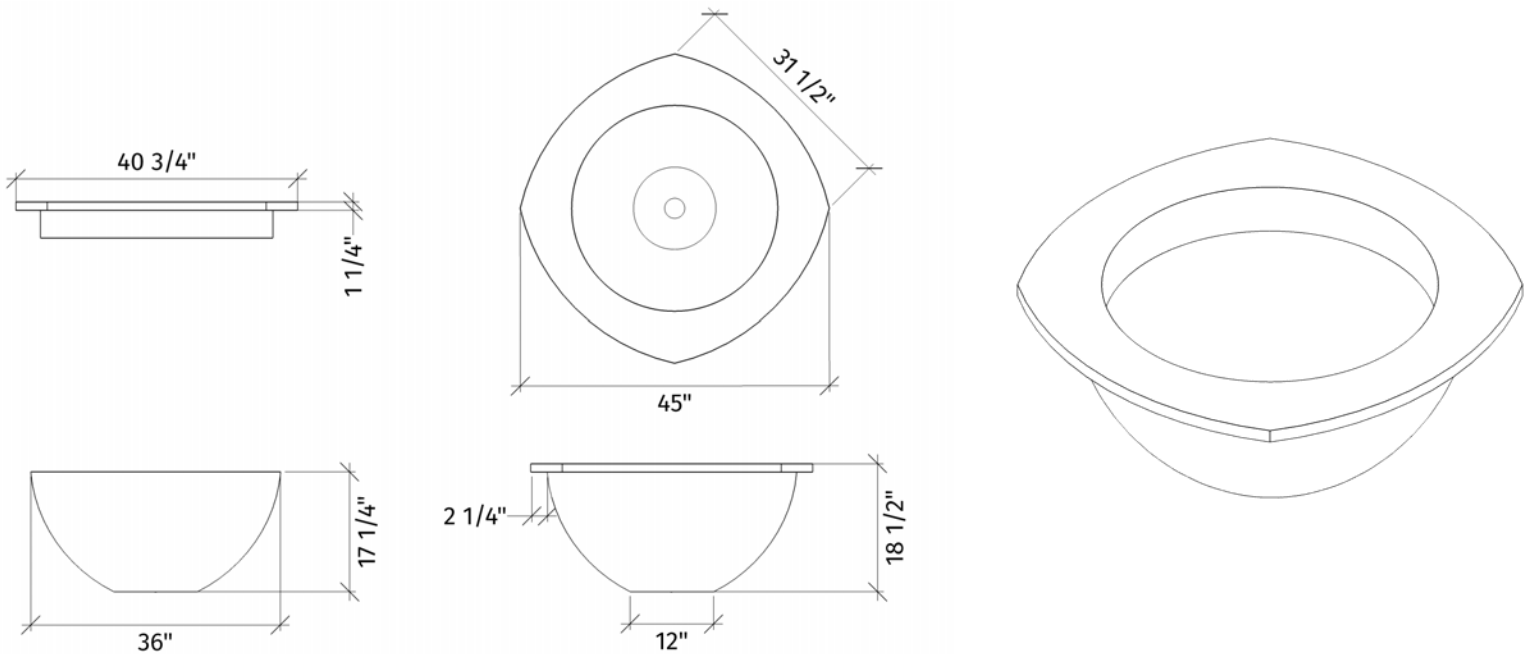


LOTUS

-45 in-



DIMENSIONS



MAXIMUM IMPACT



Our flagship firebowl, the **Lotus** creates the perfect luxurious space of fire and purpose.

The petal shaped rim draws function to the modern bowl design and enables maximum use of space.

LOTUS 45"
PACKAGE INCLUDES:

CONCRETE FIREPIT TOP
CONCRETE FIREPIT BASE

MANUAL LIT
NG/LP BURNER

LAVA ROCK

Firepits ship fully sealed
Accessories available



Dreamcast
design and production

For more information or to get a quote please contact
Dealers Wholesale
317-849-4336

ResSales@dealerswholesale.com