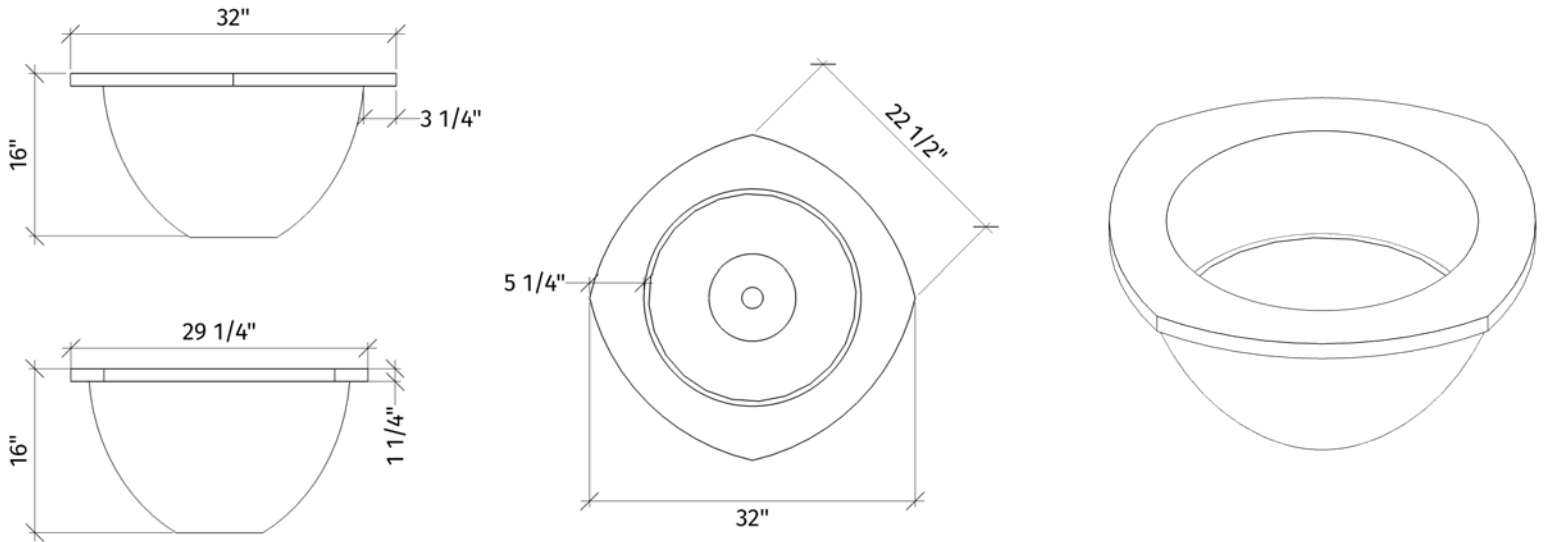


LOTUS

-32 in-



DIMENSIONS



EFFECTIVE CHOICE



Simplicity at its finest is found with the **Lotus** firebowl.

The petal shaped rim draws function to the modern bowl design and enables maximum use of space.

LOTUS 32"
PACKAGE INCLUDES:

CONCRETE FIREPIT

MANUAL LIT
NG/LP BURNER

LAVA ROCK

Firepits ship fully sealed
Accessories available



Dreamcast
design and production

For more information or to get a quote please contact
Dealers Wholesale
317-849-4336

ResSales@dealerswholesale.com