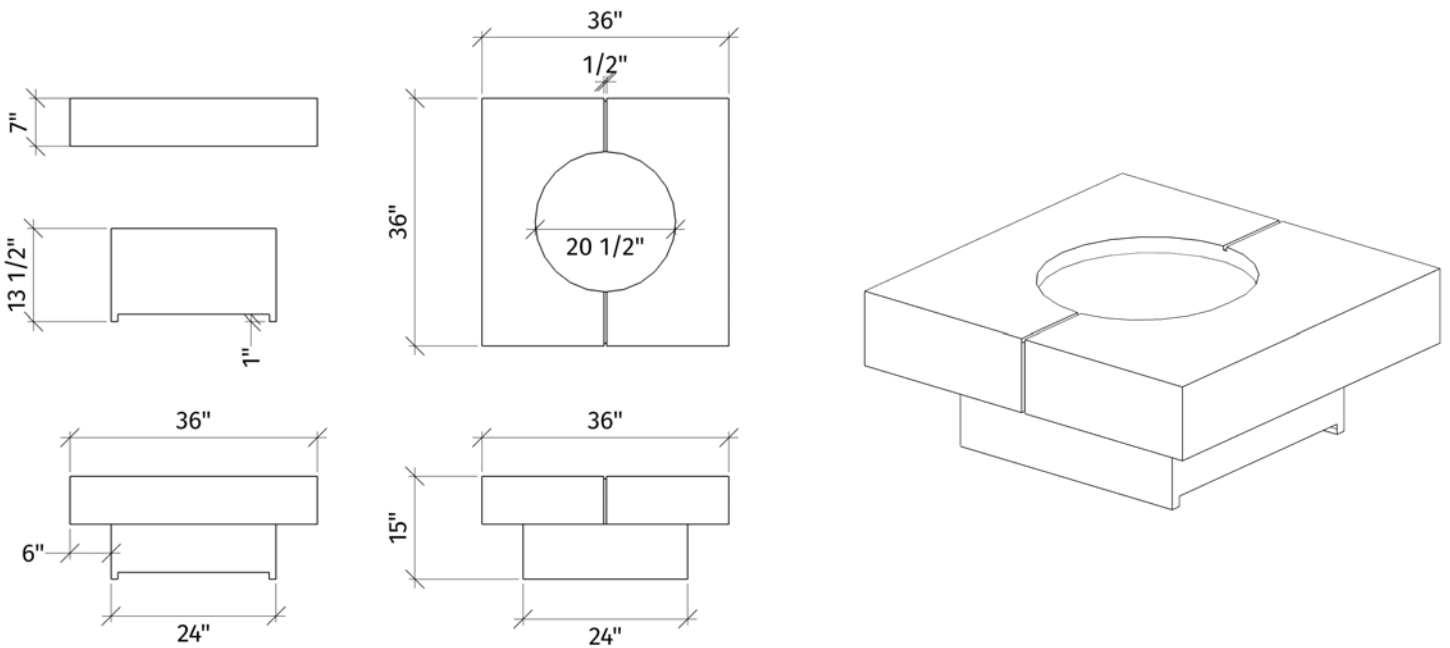


ELEMENT



DIMENSIONS



DEFINITELY CHIC



Versatile and dramatic, the **Element** firetable is a contemporary focal point.

This fire table offers room for entertainment and is still compact enough to work in smaller spaces.

ELEMENT PACKAGE INCLUDES:

CONCRETE FIREPIT TOP
CONCRETE FIREPIT BASE

MANUAL LIT
NG/LP BURNER

LAVA ROCK

Firepits ship fully sealed
Accessories available



Dreamcast
design and production

For more information or to get a quote please contact
Dealers Wholesale
317-849-4336

ResSales@dealerswholesale.com